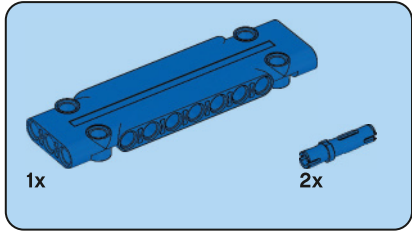
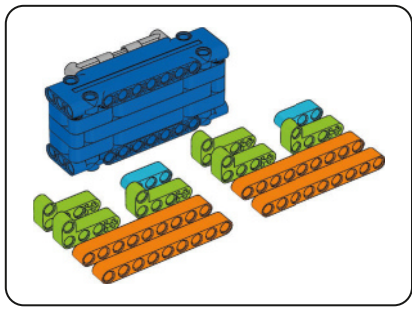
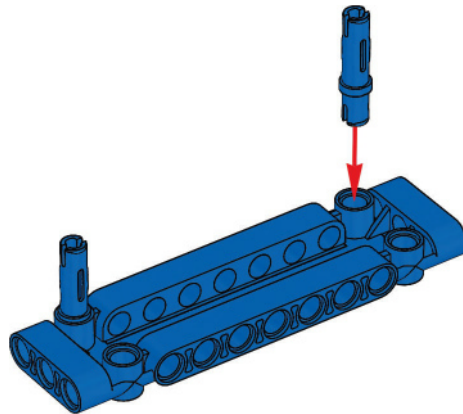


45816

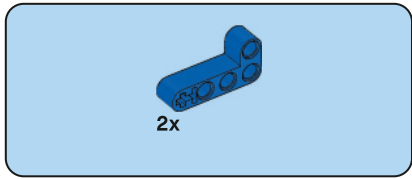




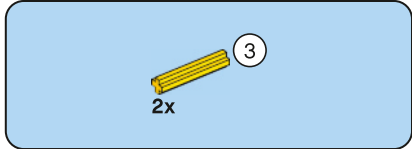
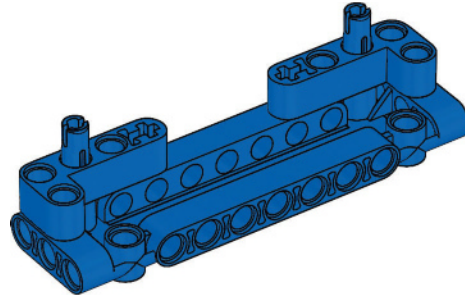
1



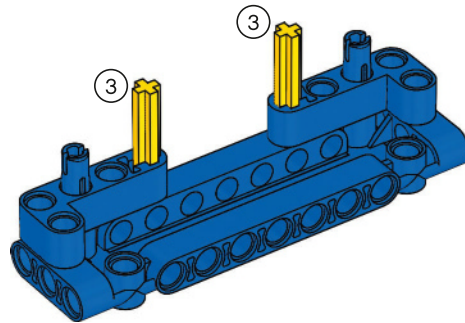
3

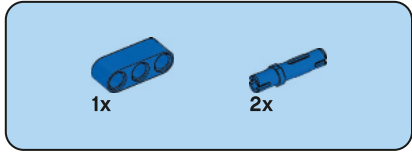
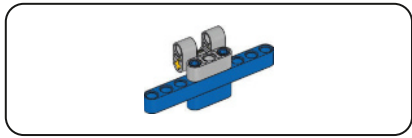


2

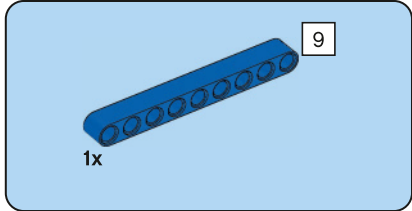
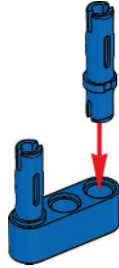


3

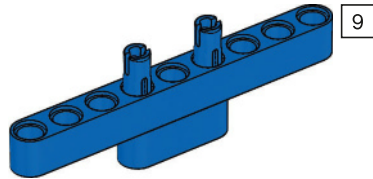


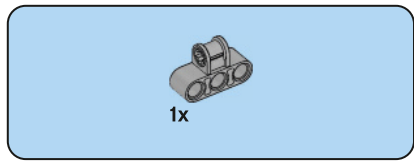


4

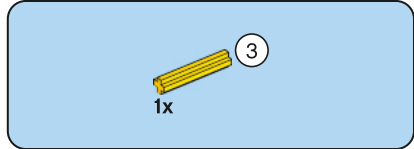
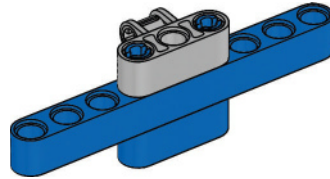


5

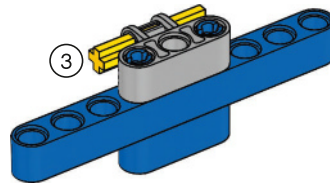




6



7



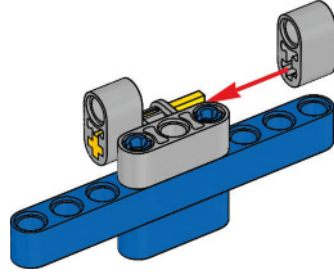


2x

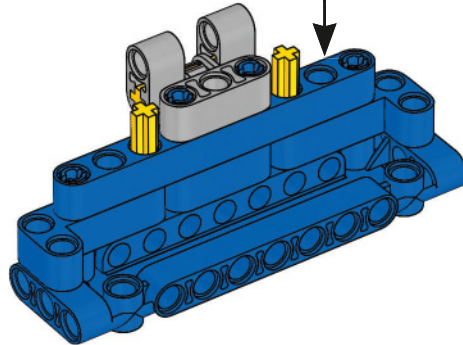
8

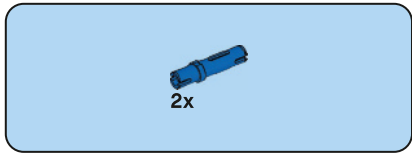


3

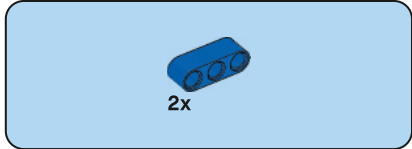
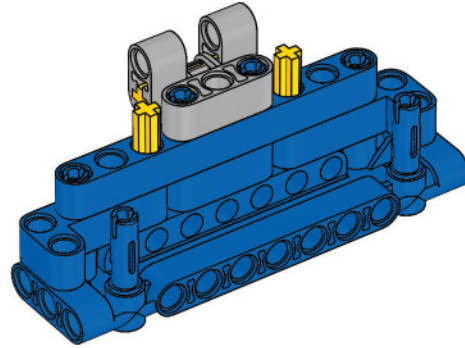


9

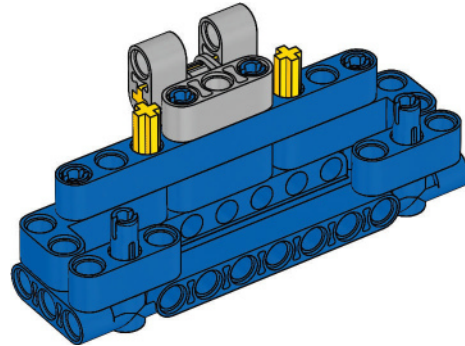


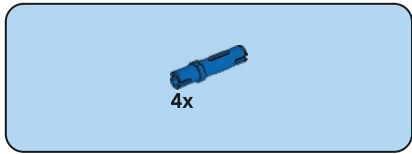


10

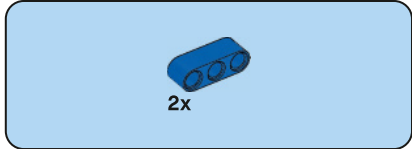
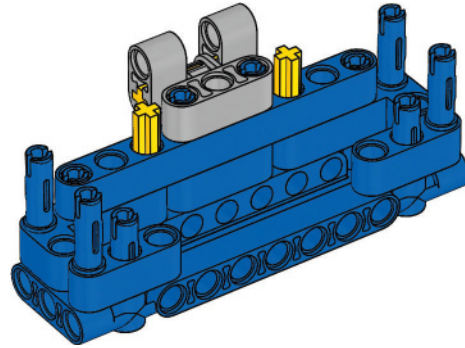


11

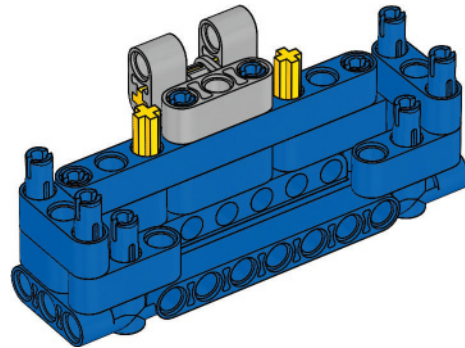




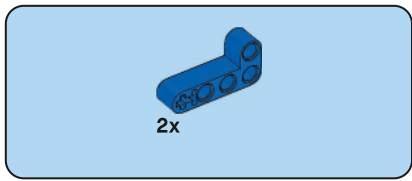
12



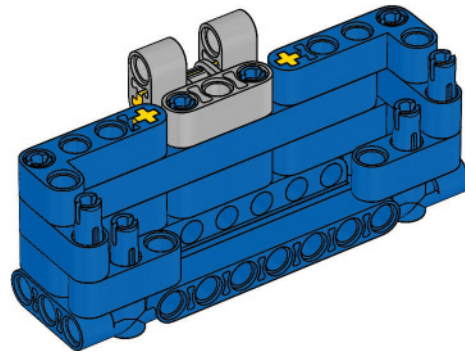
13

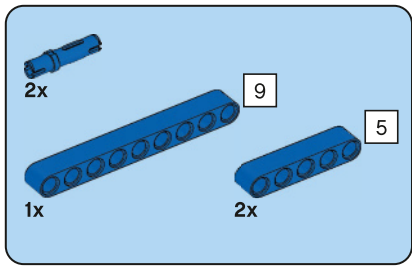




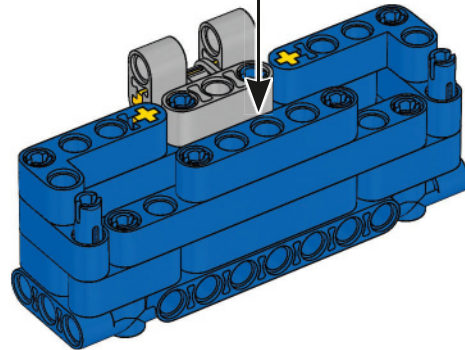
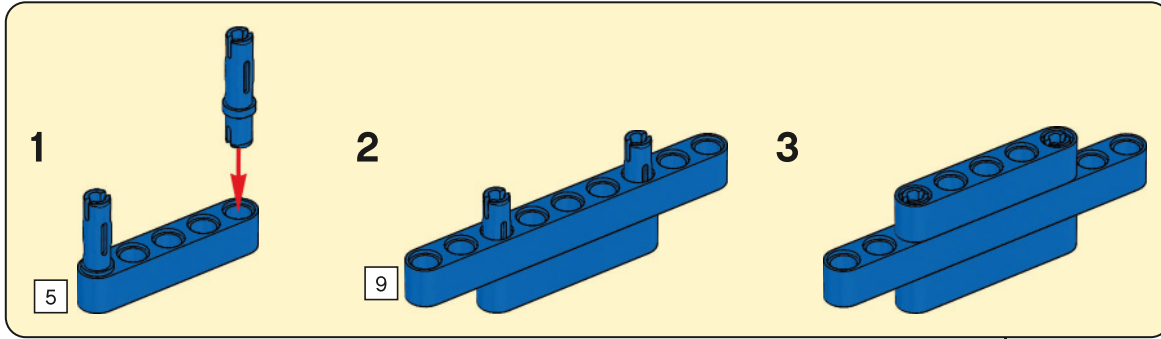


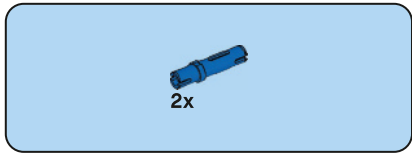
14



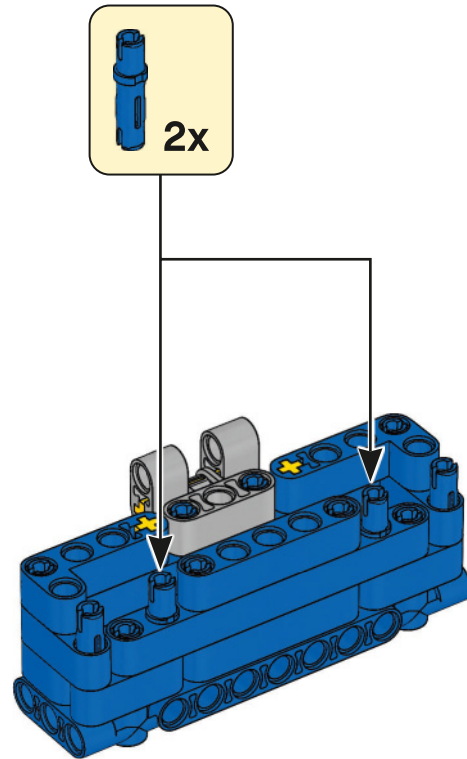


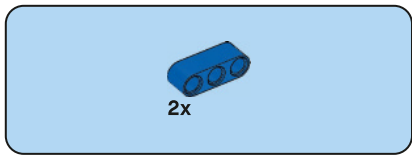
15



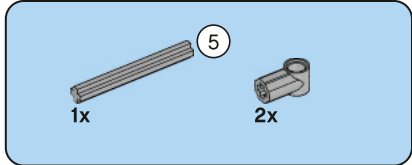
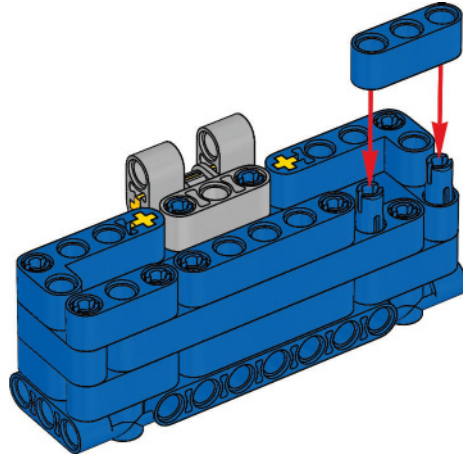


16

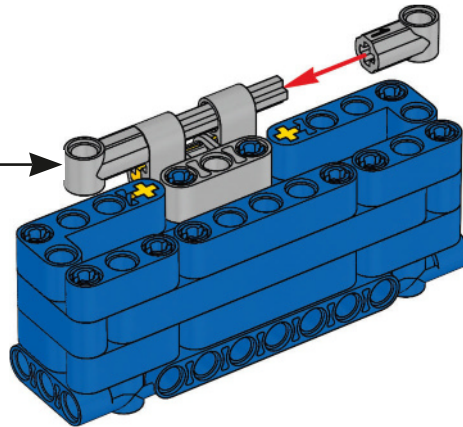
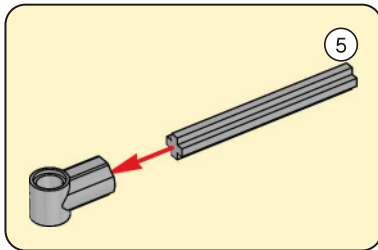




17



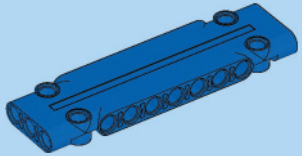
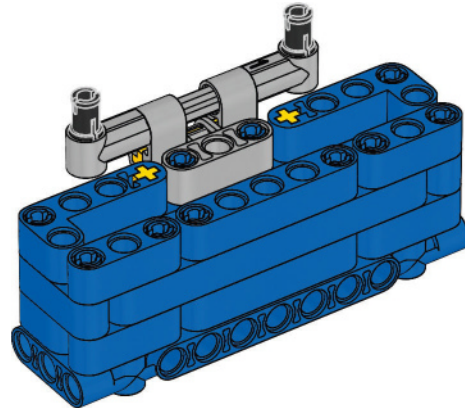
18





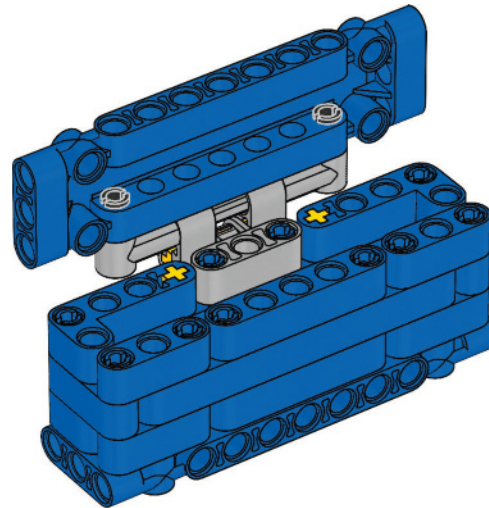
2x

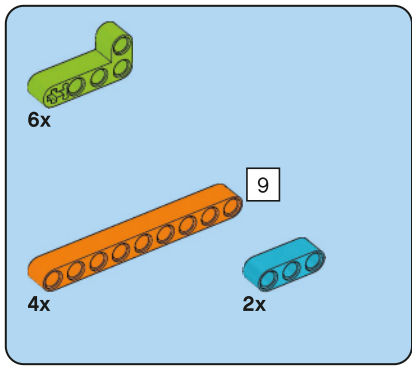
19



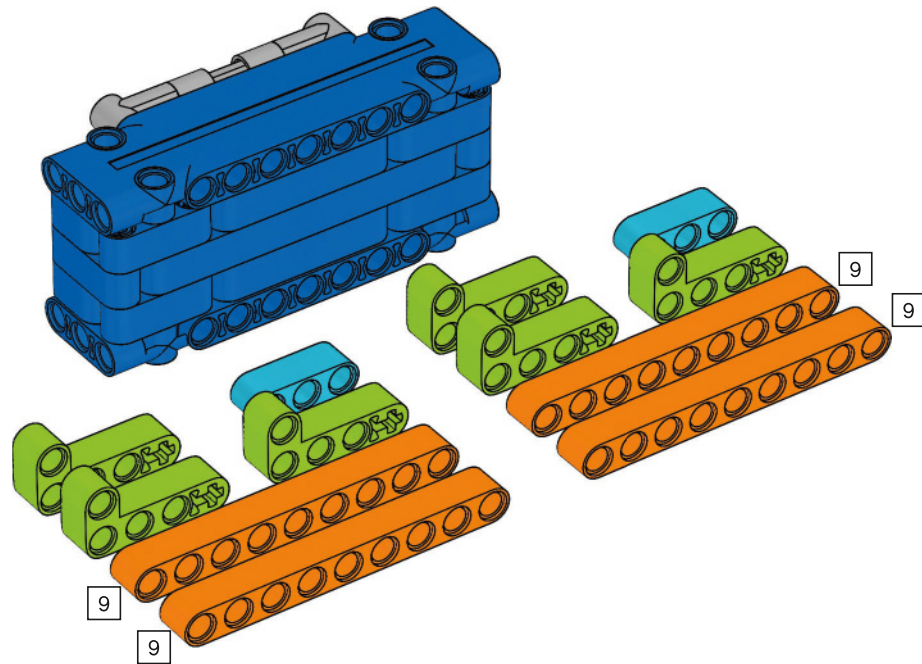
1x

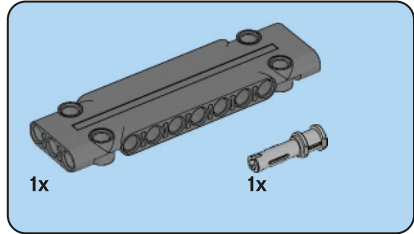
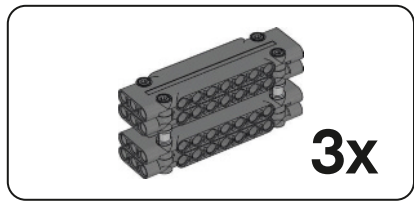
20



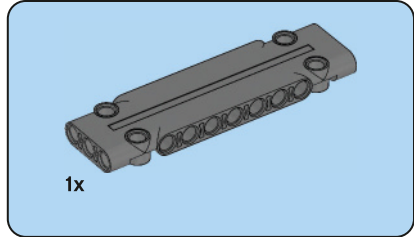
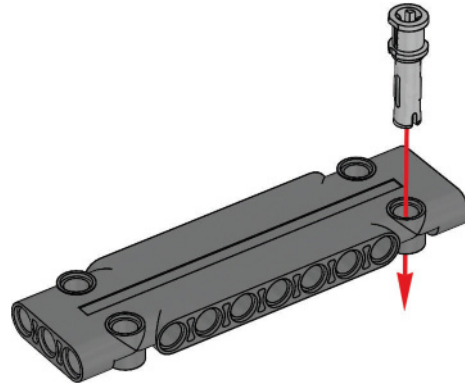


21

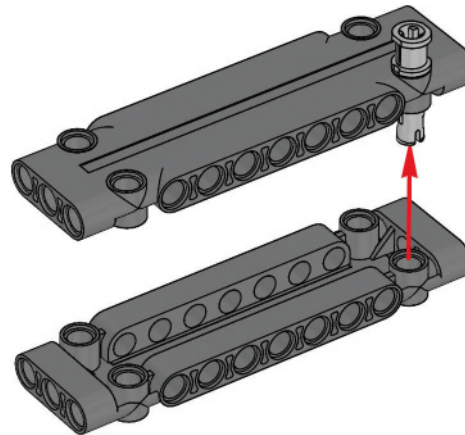


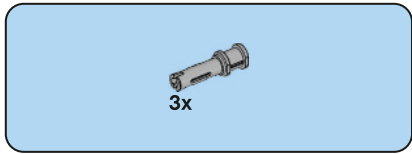


22

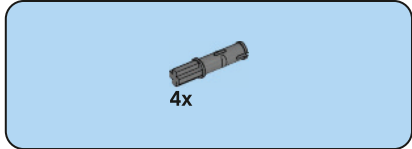
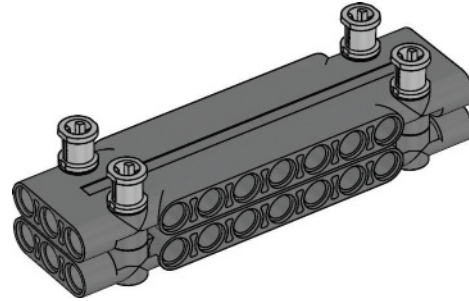


23

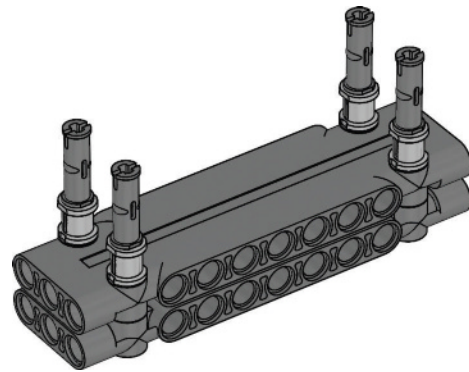




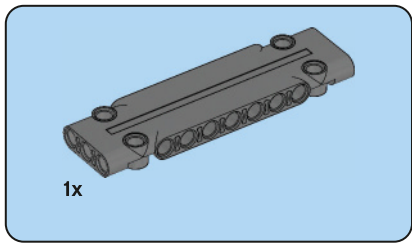
24



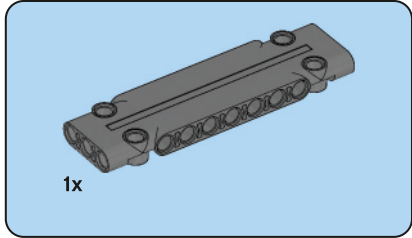
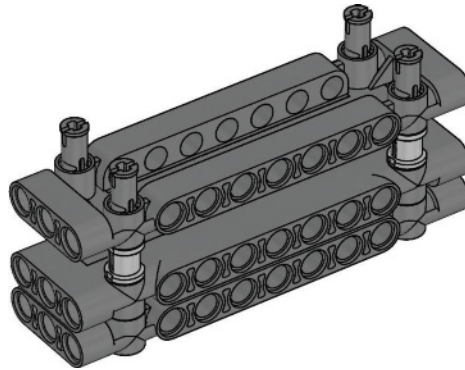
25



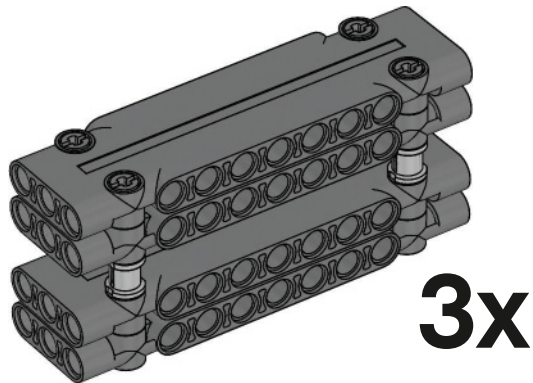


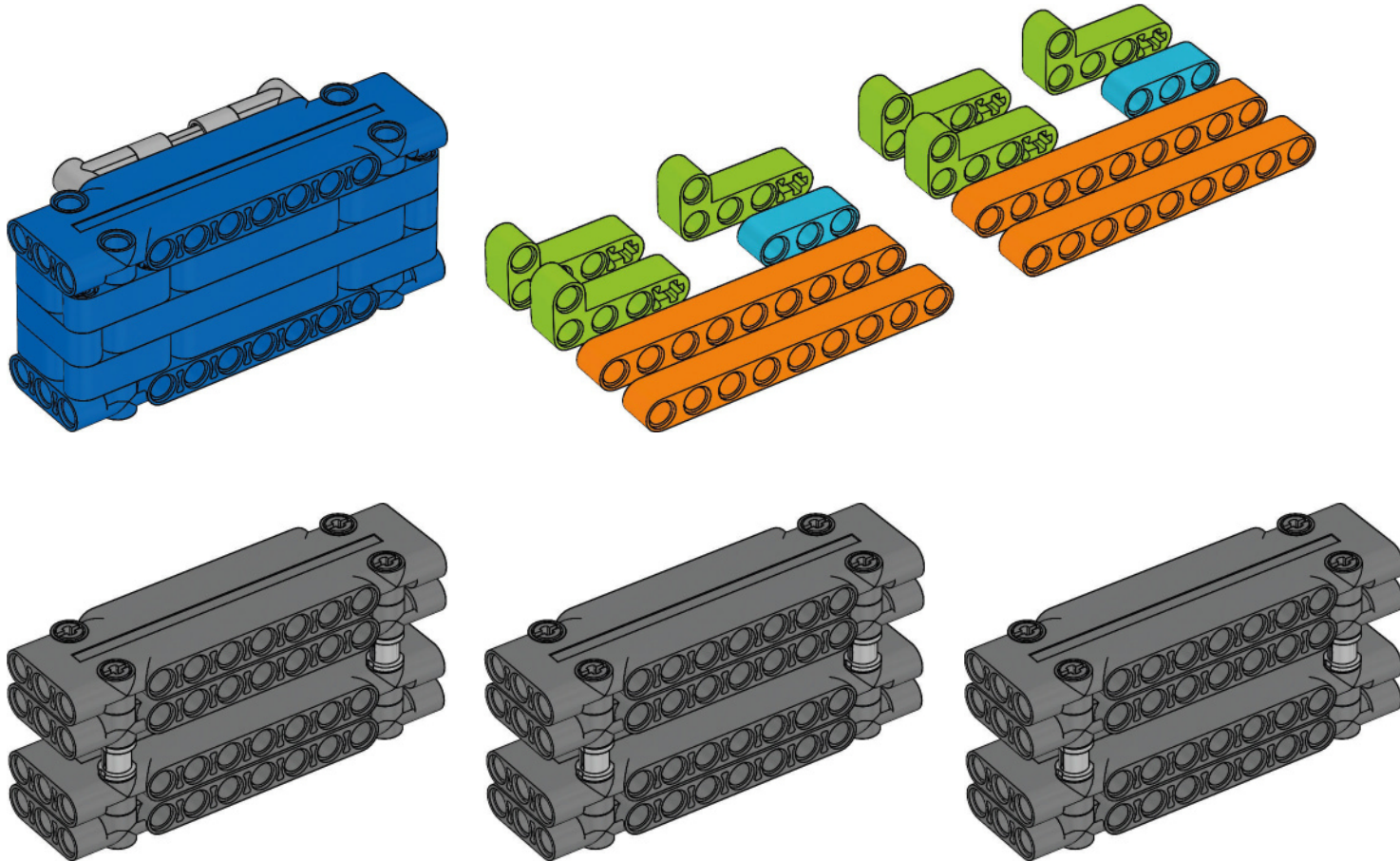


26



27





LEGO and the LEGO logo are trademarks of the/son des marques de commerce du/son marcas registradas de LEGO Group. ©2021 The LEGO Group. All rights reserved/Tous droits réservés/Todos los derechos reservados.

FIRST® is a registered trademark of For Inspiration and Recognition of Science and Technology (FIRST). LEGO® is a registered trademark of the LEGO Group. FIRST® LEGO® League and CARGO CONNECT™ are jointly held trademarks of FIRST and the LEGO Group.

©2021 FIRST and the LEGO Group. All rights reserved.